

Liberty Pumps®

FL100-Series

1hp

FL150-Series

1-1/2hp

FL200-Series

2hp

Submersible Effluent Pumps

1-1/2" or 2" Discharge

Flange Mounted

Features:

- 3/4" Solids-handling
- Heavy cast iron construction
- Semi-open cast iron impeller
- 416 stainless steel rotor shaft (see back for shaft material)
- Dual shaft seals
- Single float, mercury free level control
- Additional mounting clamp provided for optional switch mounting to pipe
- Fully adjustable pumping range
- 2" FNPT threaded discharge with 1-1/2" FNPT flange provided
- Quick-disconnect power cord - 25' length standard
- Available in automatic and manual models



POWDER
COATED
TOUGH™

3

Year Warranty

**Dual Sized
Discharge**

1-1/2" or 2"

innovate. evolve.

FL100, FL150 and FL200-Series Technical Specifications

External Construction:

Pump Volute – Gray iron casting class 25
 Pump Legs – Gray iron casting class 25
 Motor Cover – Gray iron casting class 25
 All casting shall be powder coated for corrosion resistance prior to assembly.

Motor:

Submersible 3450 RPM, oil filled and hermetically sealed. Class B insulation rating. FL100 only 17-4 PH Stainless steel. (FL150 and FL200, 416 Stainless steel rotor shaft.) Thermally protected – single phase models. Three phase models shall have overloads incorporated into the control panel, properly sized for the horsepower and amperage of the pump.

Impeller:

Semi-open design. Cast iron construction.

Dual Shaft Seals:

FL100-Series feature upper unitized carbon ceramic and lower Viton double lip.

FL150 and FL200-Series feature upper unitized silicon carbide, lower Viton double lip.

Fasteners:

All fasteners shall be 300-series stainless steel.

Power Cord:

25' length standard. Quick-disconnect design allows easy field replacement.

Level Control:

The pump shall be controlled by a wide angle mechanical float sealed in a PVC housing. The float shall have a series plug for manual by-pass operation.

A water-stop seal shall be incorporated into the cord entry to eliminate potential water wicking into the switch.

An adjustable clamp is provided for optional pipe mounting of the float.

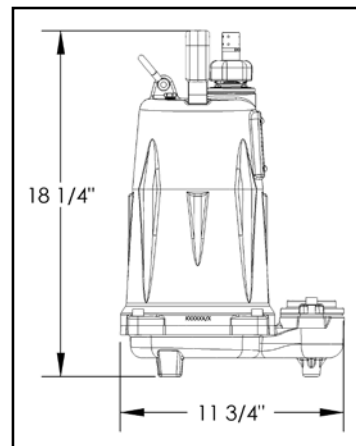
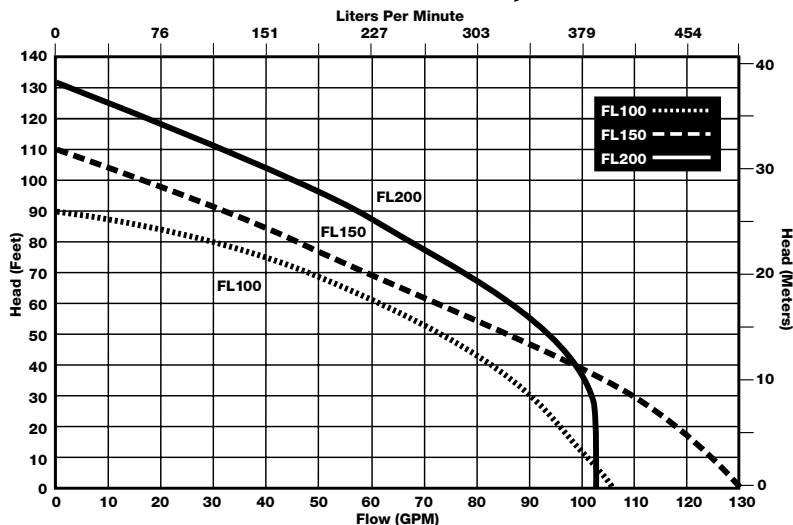
Discharge:

2" FNPT with 1-1/2" FNPT cast iron flange provided.

Model	hp.	Volts	Phase	Amps	Discharge	Automatic	Cord Length	Wgt. Lbs.
FL102M-2	1	208-230	1	12	1-1/2" & 2"	No	25'	71
FL102A-2	1	208-230	1	12	1-1/2" & 2"	Yes	25'	72
FL103M-2	1	208-230	3	9	1-1/2" & 2"	No	25'	71
FL104M-2	1	440-480	3	4.5	1-1/2" & 2"	No	25'	71
FL105M-2	1	575	3	3.3	1-1/2" & 2"	No	25'	71
FL152M-2	1-1/2	208-230	1	15	1-1/2" & 2"	No	25'	81
FL152A-2	1-1/2	208-230	1	15	1-1/2" & 2"	Yes	25'	82
FL153M-2	1-1/2	208-230	3	10.6	1-1/2" & 2"	No	25'	81
FL154M-2	1-1/2	440-480	3	5.3	1-1/2" & 2"	No	25'	81
FL155M-2	1-1/2	575	3	4.9	1-1/2" & 2"	No	25'	81
FL202M-2	2	208-230	1	15	1-1/2" & 2"	No	25'	82
FL202A-2	2	208-230	1	15	1-1/2" & 2"	Yes	25'	83
FL203M-2	2	208-230	3	10.6	1-1/2" & 2"	No	25'	82
FL204M-2	2	440-480	3	5.3	1-1/2" & 2"	No	25'	82
FL205M-2	2	575	3	4.9	1-1/2" & 2"	No	25'	82

NOTE: 3-phase models require a control panel for automatic operation. See simplex and duplex panel literature for complete information. 35' cord option available on some models. Consult factory.

60 hz Performance Curve FL100, FL150 and FL200-Series - Maximum Fluid Temperature 140° F



Certified

Specifications subject to change without notice.