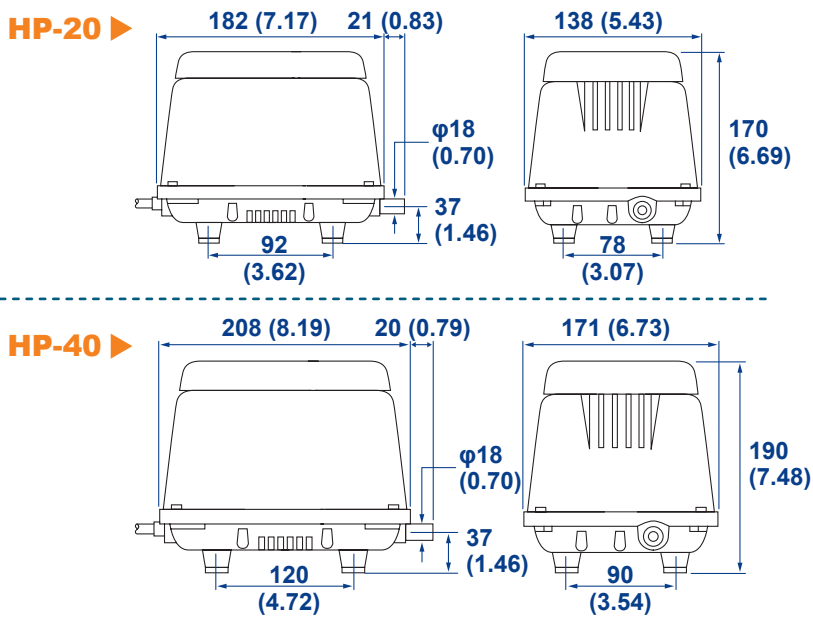


HP-20, 40

PRESSURE
TYPE

Dimensions

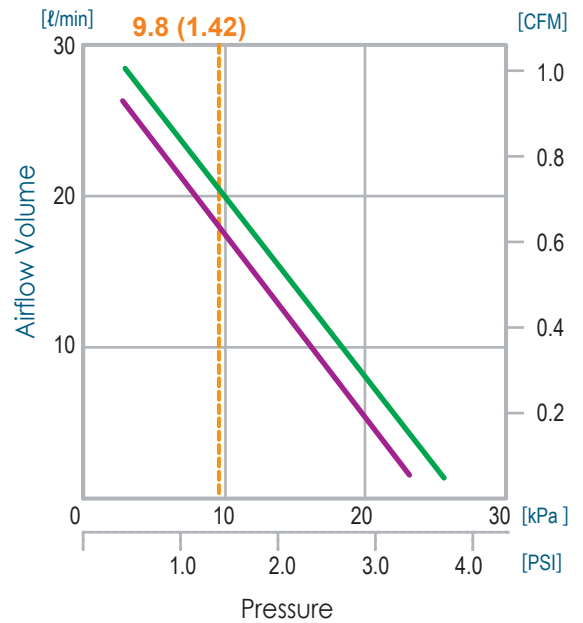
[Unit: mm(inch)]



Performance Curves

--- Rated Loading Pressure [kPa(PSI)]
 --- 50Hz --- 60Hz

HP-20



Specifications

		HP-20		HP-40	
Rated Voltage	V	AC100 / 110-120 / 220-240			
Power Supply Frequency	Hz	50	60	50	60
Rated Loading Pressure	kPa	9.8		12.8	
Airflow Volume	l/min	18	20	40	
Power Consumption	W	17		38	
Noise Level	dB(A)	31		32	
Weight	kg	3.2		5.7	

HP-40

