



GAST MANUFACTURING, INC.  
 A Unit of IDEX Corporation  
 Post Office Box 97  
 Benton Harbor, Michigan  
 Ph: 269/926-6171  
 Fax: 269/925-8288

PART NUMBER:

LTD139

REV.

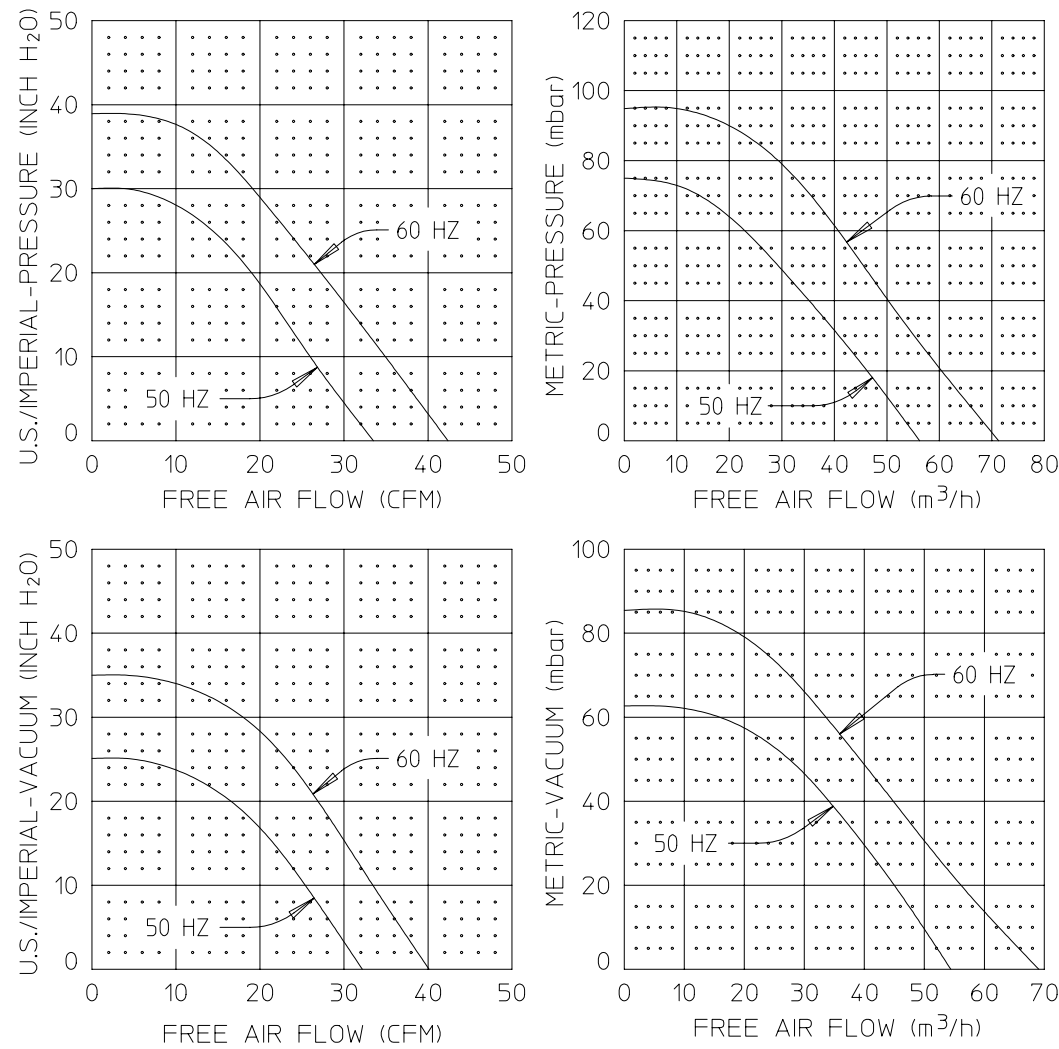
E

MODEL NUMBER	MOTOR SPECIFICATIONS	RPM	MAX VAC		MAX PRESS		HP	kW	NET WT.	
			"H <sub>2</sub> O	mbar	"H <sub>2</sub> O	mbar			lbs.	kg
R2103 R2103-24 * R2103-32	110/220-50-1	2850	25	62	30	75	1/5	0,15	21	9.5
* R2103K * R2103K-24 * R2103K-32			115/208-230-60-1	3450	35	87			39	97

SOUND LEVEL 63/59 dB(A) MAX. @ 60/50 Hz  
 NORMAL AMBIENT -29°C TO 40°C  
 RELATIVE HUMIDITY 0% - 100% NON CONDENSING  
 ENVIRONMENT CLEAN DUST FREE

- NOTES:  
 1. TECHNICAL DATA SUBJECT TO CHANGE WITHOUT NOTICE.  
 2. \* DENOTES INACTIVE MODEL.

### Product Performance (Metric U.S. Imperial)



PERFORMANCE DATA  
 THE PERFORMANCE DATA SHOWN WAS DETERMINED UNDER THE FOLLOWING CONDITIONS:  
 LINE VOLTAGE @ 60 Hz. 230V OR 460V FOR 3 PHASE UNITS. 115V OR 230V FOR 1 PHASE UNITS.

LINE VOLTAGE @ 50 Hz. 220V FOR 3 PHASE OR 1 PHASE UNITS.

UNITS IN A TEMPERATURE STABLE CONDITION.

DELIVERY MEASUREMENTS MADE WITH OUTPUT PORT THROTTLED.

SUCTION MEASUREMENTS MADE WITH INPUT PORT THROTTLED.

TEST CONDITIONS: INLET AIR DENSITY @ 0.075 lbs. per cu. ft. [20°C (68°F), 29.92" Hg (14.7 PSIA)].

NORMAL PERFORMANCE VARIATIONS ON THE RESISTANCE CURVE WITHIN ±10% OF SUPPLIED DATA CAN BE EXPECTED.

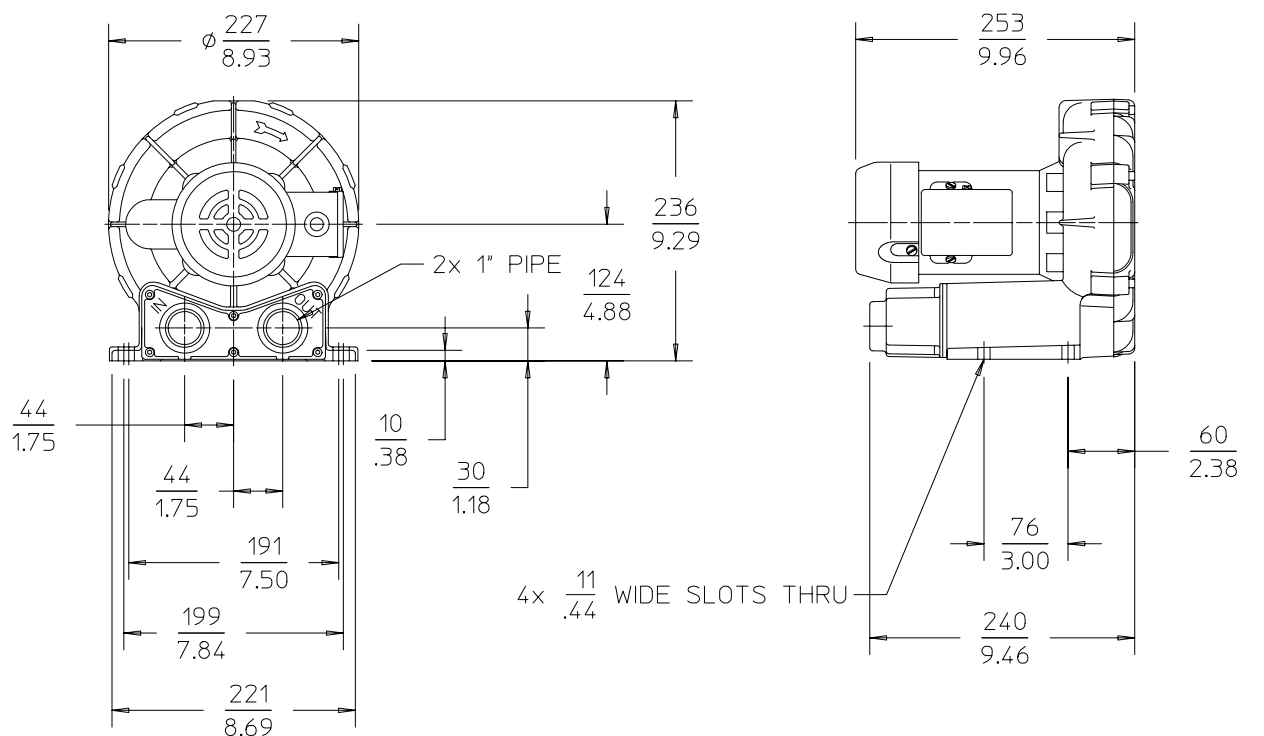
### Product Dimensions Metric (mm) / U.S. Imperial (inches)

Low Voltage, Single Phase

- Blue P1 Line
- Brown P2
- Black 5 — Tie Together
- Orange 3 — Insulate
- White 2 — Tie Together
- Yellow 4 — Line

High Voltage, Single Phase

- Blue P1 Line
- Brown P2 Insulate
- Black 5 — Tie Together
- Orange 3 — Insulate
- White 2 — Tie Together
- Yellow 4 Line



### Wiring Diagram