

www.septicsolutions.com  
 SEPTIC SOLUTIONS, INC.  
**CYCLONE™**  
 High Performance Air Pumps

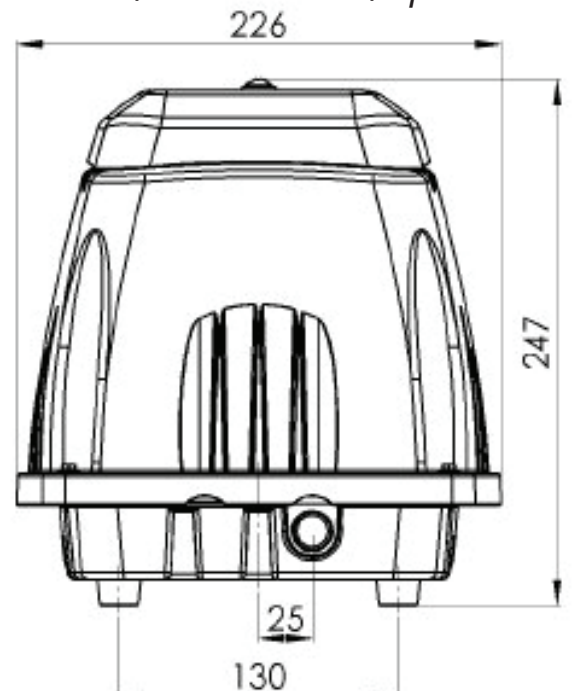
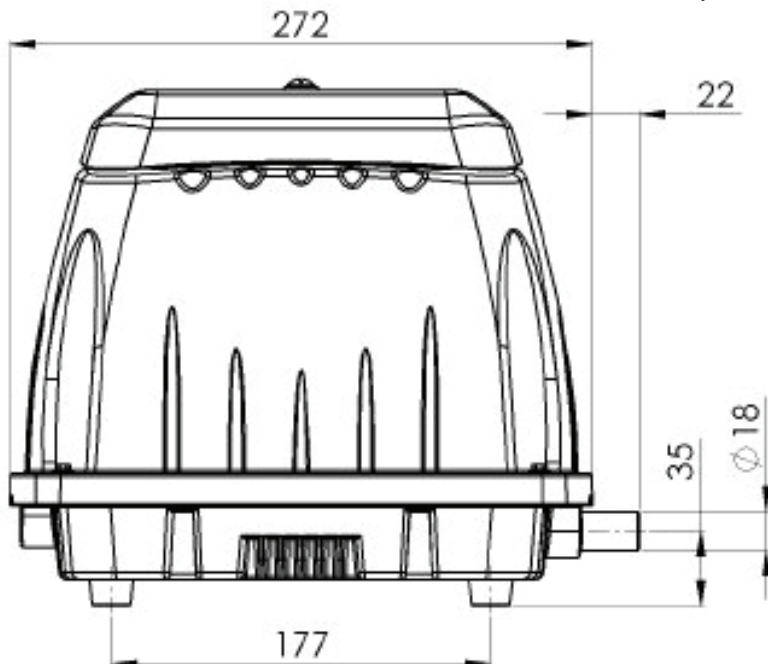
# SSX-150



## AIR PUMP SPECIFICATIONS

Voltage	115 VAC
Amperage	2.6 A
Wattage	160 W
Max CFM	8.5 cfm
Rated LPM	150 lpm
Max PSI	6.50 psi

CFM = Cubic Feet/Min    LPM = Liters/Min    PSI = Lbs/Sq In



Dimensions measured in mm

Copyright © 2013 Septic Solutions, Inc. All Rights Reserved.