

www.septicsolutions.com
 SEPTIC SOLUTIONS, INC.
CYCLONE™
 High Performance Air Pumps

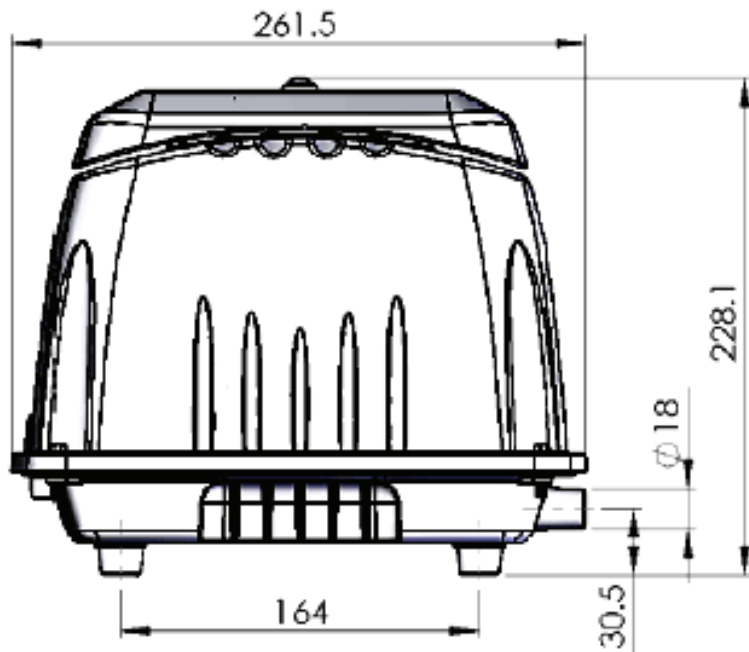
SSX-80



AIR PUMP SPECIFICATIONS

Voltage	115 VAC
Amperage	1.8 A
Wattage	101 W
Max CFM	5.1 cfm
Rated LPM	80 lpm
Max PSI	5.97 psi

CFM = Cubic Feet/Min LPM = Liters/Min PSI = Lbs/Sq In



Dimensions measured in mm

