

# Ashland

P U M P

## SWH100 SEWAGE PUMP

### FEATURES

- Heavy duty cast iron
- Oil-filled continuous duty PSC motor
- Vortex impeller
- 2" NPT Flanged Discharge, 3" NPT Optional

*Honest  
Professional  
Dependable*

1899 Cottage Street, Ashland, Ohio 44805

Telephone: 855 281-6830 · Fax: 877 326-1994

[ashlandpump.com](http://ashlandpump.com)



# SWH100 - 1 HP Submersible Sewage Pump

## TECHNICAL DATA

### Physical Data:

DISCHARGE SIZE **2" NPT Flanged Discharge, 3" NPT Optional**

IMPELLER TYPE **Vortex - Cast Iron**

CABLE LENGTH **20'**

### Liquid Handling:

SOLIDS SIZE **2"**

MAXIMUM LIQUID TEMP. **104°F - Intermittent**

ACCEPTABLE PH RANGE **6-8**

### Temperature:

WINDING INSULATION TEMPERATURE **130°C**

### Technical Data:

POWER CORD TYPE **SOW**

MOTOR HOUSING **Cast Iron**

CASING **Cast Iron**

IMPELLER **Cast Iron**

MOTOR SHAFT **SS430**

HARDWARE **SST**

"O" RINGS **NBR**

SEALS **Single Mechanical, Carbon Ceramic**

UPPER BEARING **6203**

LOWER BEARING **6203**

## ELECTRICAL DATA

R.P.M. **3450**

MOTOR TYPE **PSC/Induction**

GENERAL INSULATION CLASS **B**

STATOR WINDING CLASS **B**

MAXIMUM STATOR TEMPERATURE **130°C**

VOLTAGE TOLERANCE **±10%**

MOTOR PROTECTION **Thermally Protected**

HP **1**

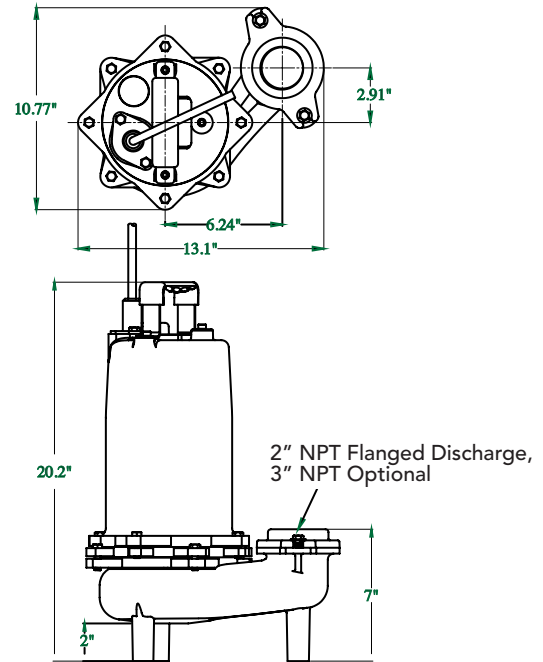
VOLTAGE **230/460/208**

PHASE **1/3**

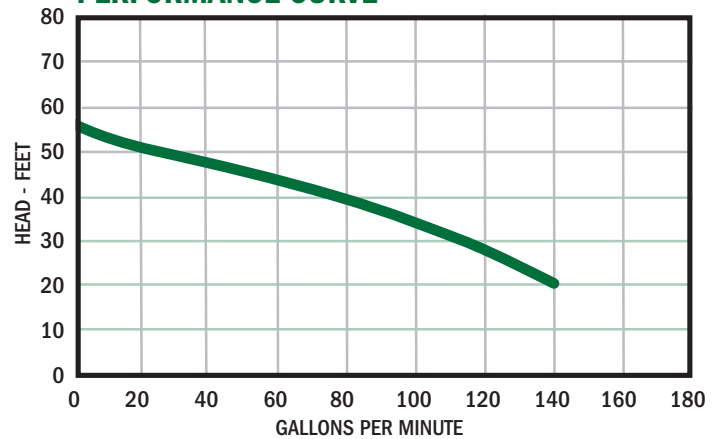
SERVICE FACTOR **1**

FULL LOAD AMPS **230V/1PH/11  
230V/3PH/6.6  
460V/3PH/3.3  
208V/1PH/12  
208V/3PH/6.8**

## DIMENSIONAL DATA



## PERFORMANCE CURVE



## PERFORMANCE CHART

Total Lift(feet)	20	30	40	50	56
GPM	140	112	76	22	0



P U M P

*Honest, Professional, Dependable*

1899 Cottage Street, Ashland, Ohio 44805  
Telephone: 855 281-6830 · Fax: 877 326-1994 · ashlandpump.com